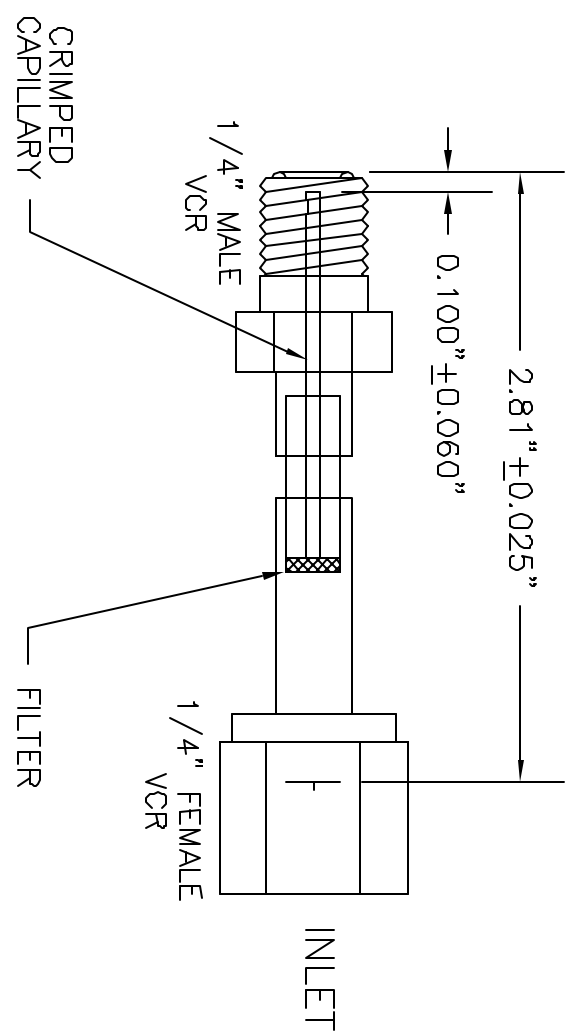


REVISIONS			
NO.	DESCRIPTION	DATE	APRVD



**Open Style Crimped Capillary Leak
with 1/4" Female and Male Fittings
(Standard Design)**

UNLESS OTHERWISE SPECIFIED:
 DIMENSIONS ARE IN INCHES & DEG.
 ANGLES ±0° 30'

X.X±.03
 X.XXX±.01
 XXXXX±.001
 XXXXX±.0005

1005 ALVIN WEINBERG DRIVE
 COK RIDGE, TN 37030

Vacuum Technology Inc.

TITLE
1/4 FEMALE/MALE VCR

DRAWN DATE 1-3-97

SIZE DWG NO. CLO4MVCR.DWG

SCALE FULL SHEET OF

PROPERTY OF VACUUM TECHNOLOGY INC.
 THIS DRAWING PRINT IS LOANED FOR MUTUAL ASSISTANCE AND AS SUCH IS SUBJECT TO RECALL AT ANY TIME. INFORMATION CONTAINED HEREIN IS NOT TO BE DISCLOSED OR REPRODUCED IN ANY FORM FOR THE BENEFIT OF PARTIES OTHER THAN NECESSARY SUBCONTRACTORS AND SUPPLIERS WITHOUT THE WRITTEN CONSENT OF VACUUM TECHNOLOGY INC.

MATERIAL: _____