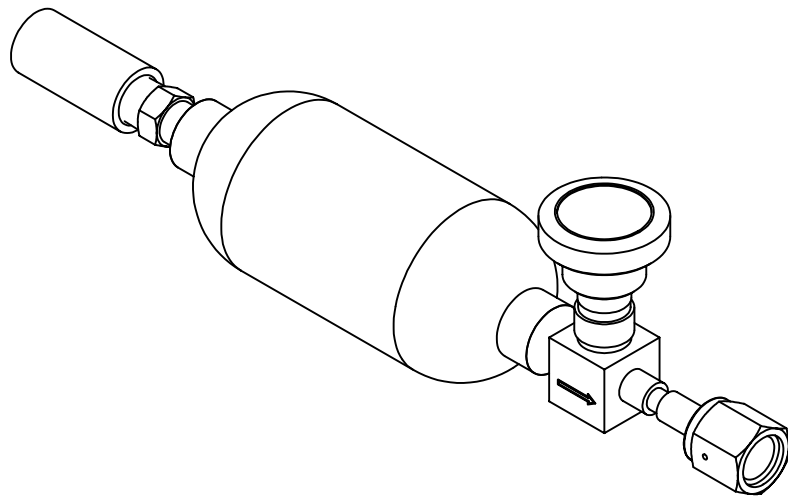
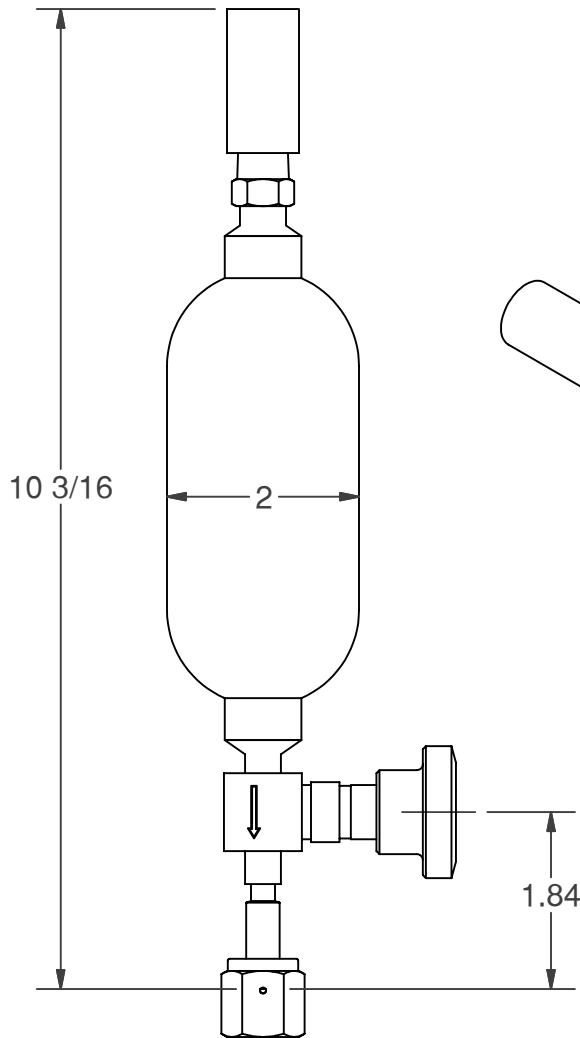


2

1

B

B



X = LEAK RATE

A

A

PROPERTY OF VACUUM TECHNOLOGY INC.

----IMPORTANT----

THIS DRAWING PRINT IS LOANED FOR MUTUAL ASSISTANCE AND AS SUCH, IS SUBJECT TO RECALL AT ANY TIME. INFORMATION CONTAINED HEREIN IS NOT TO BE DISCLOSED OR REPRODUCED IN ANY FORM FOR THE BENEFIT OF PARTIES OTHER THAN NECESSARY SUBCONTRACTORS AND SUPPLIERS WITHOUT THE WRITTEN CONSENT OF VACUUM TECHNOLOGY INC.

Vacuum Technology Inc.

1003 ALVIN WEINBERG DRIVE OAK RIDGE, TN 37830

PROJECT

CALIBRATED LEAK PERMEATION

SUBJECT

150CC DOT CYLINDER

TITLE

1/4"VCR FEMALE CONNECTION

VTI PART NO.

CLP-X-HE-4FVCR-150DOT

UNITS&TOLERANCES

(unless noted otherwise)
X.X±.03 inches
X.XX±.01 inches
X.XXX±.005 inches
X.XXXX±.0005 inches

DATE CREATED

4/9/2003

DRAFTER

CVB

ENGINEER

CVB

SIZE

A

FILE

PART

CLP-X-HE-4FVCR-150DOT

CLP-X-HE-4FVCR-150DOT.idw

REV

A

SHEET 1 OF 1

2

1

